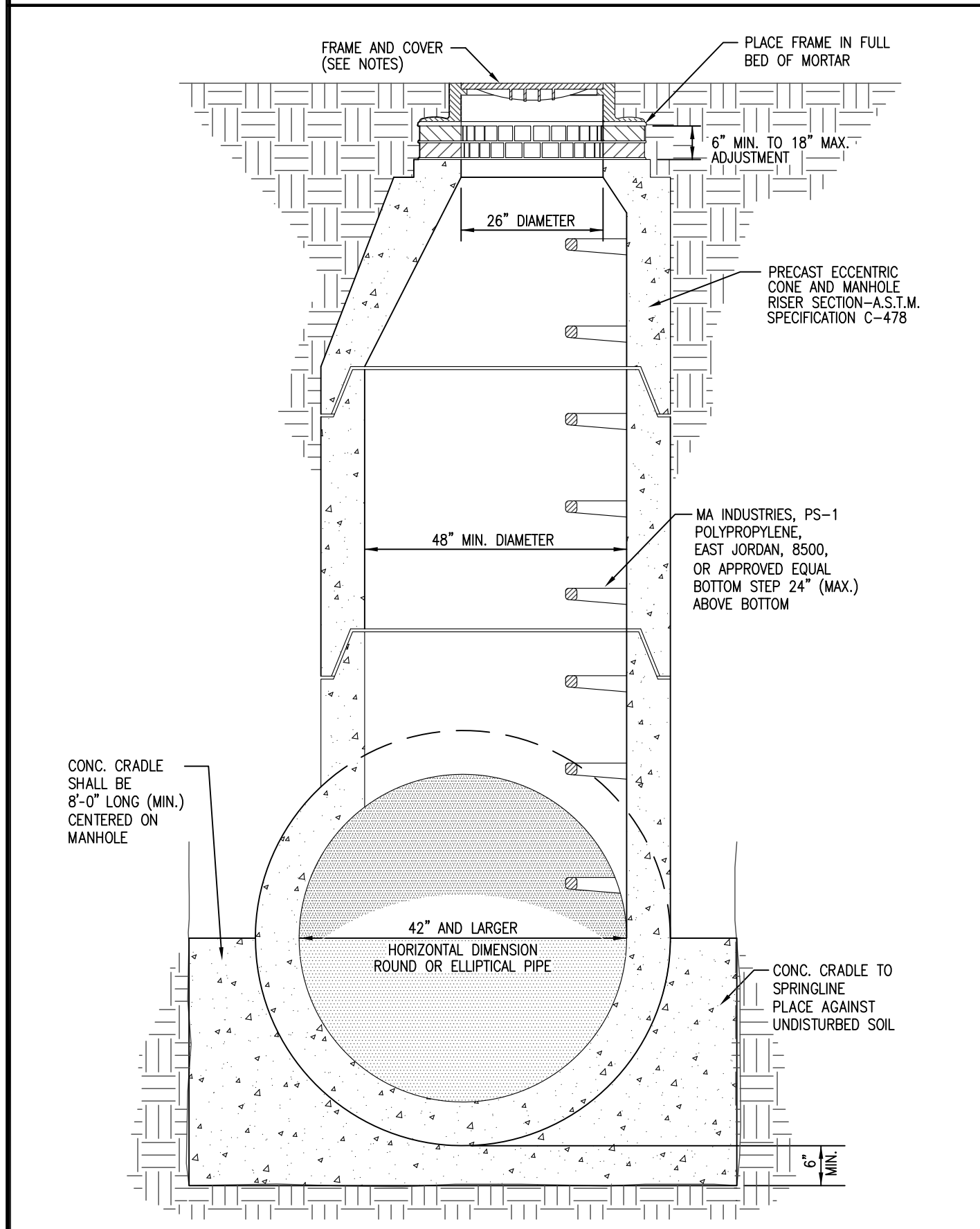
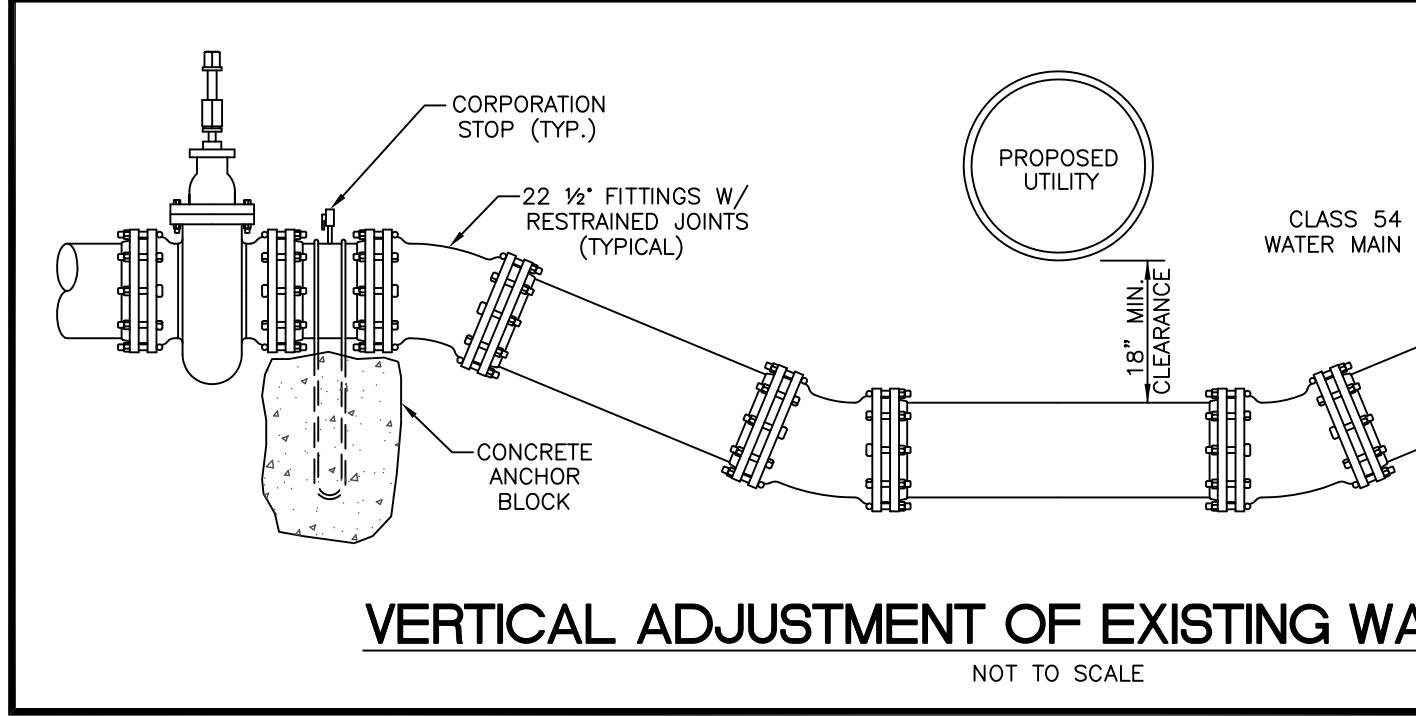


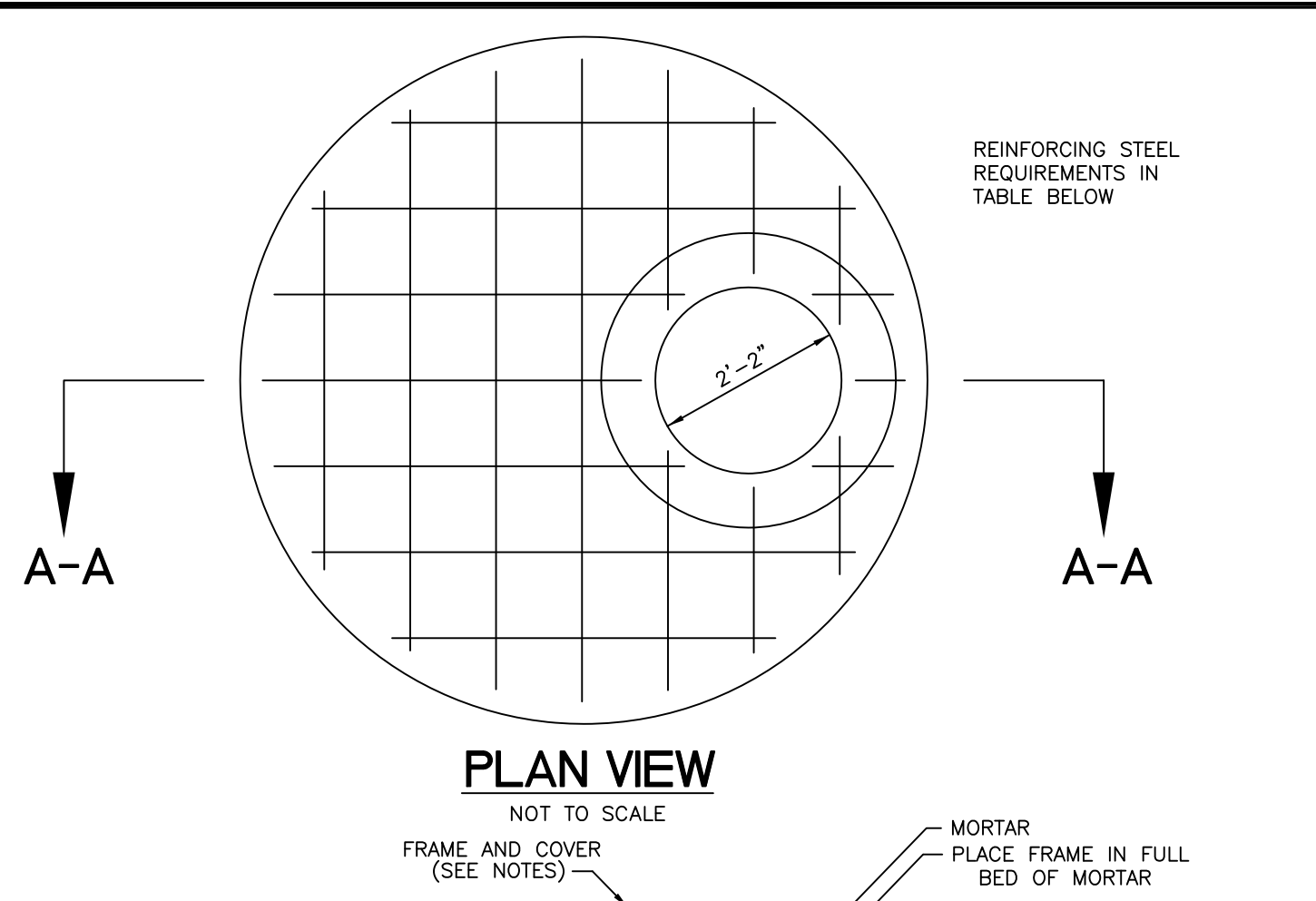
STORM SEWER MANHOLE "A"
NOT TO SCALE



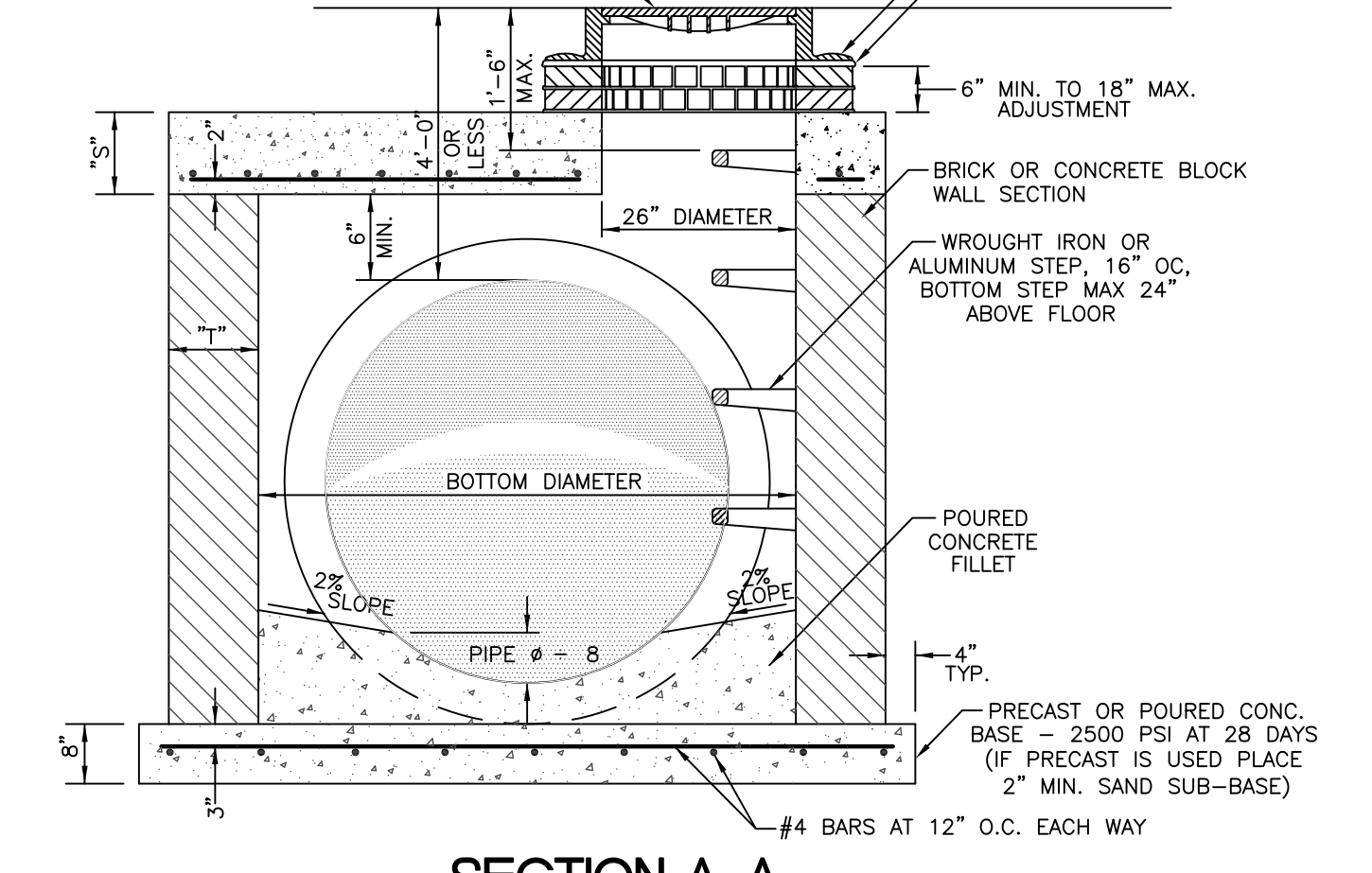
STORM SEWER TEE MANHOLE "A"
NOT TO SCALE



VERTICAL ADJUSTMENT OF EXISTING WATER MAIN
NOT TO SCALE

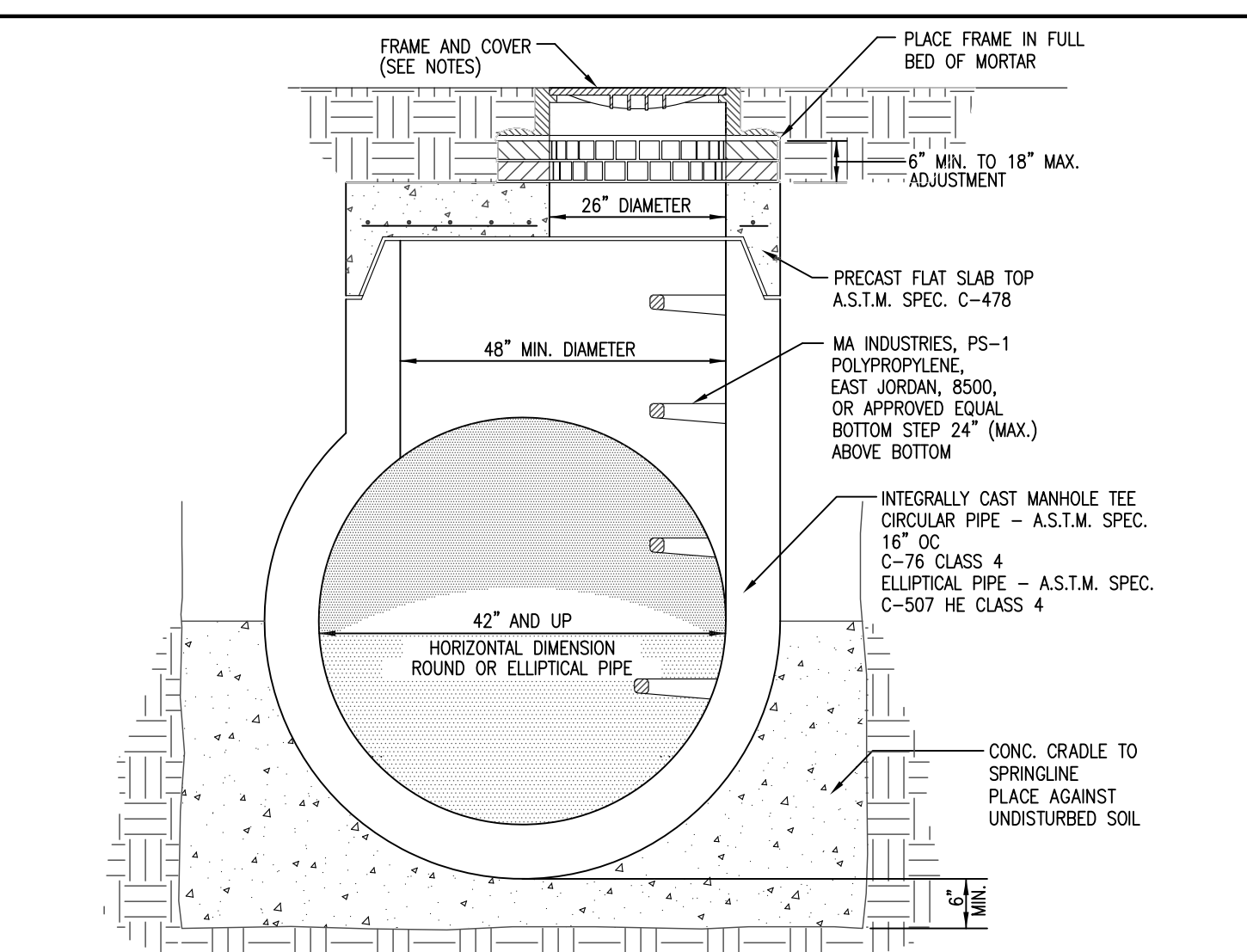


STANDARD WYE DETAIL IN CONCRETE PIPE FOR SUMP PUMP CONNECTION
NOT TO SCALE

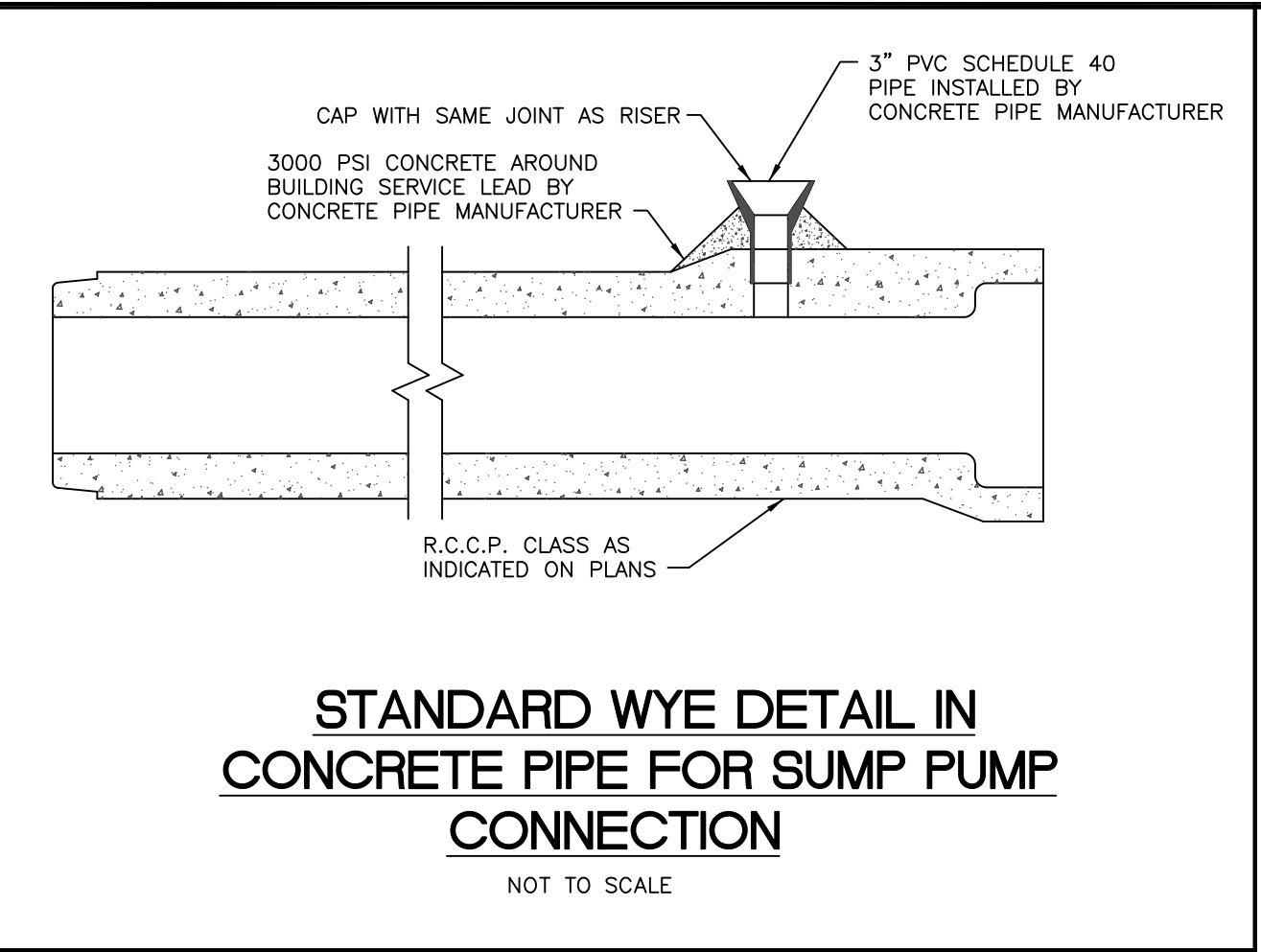


SECTION A-A
NOT TO SCALE

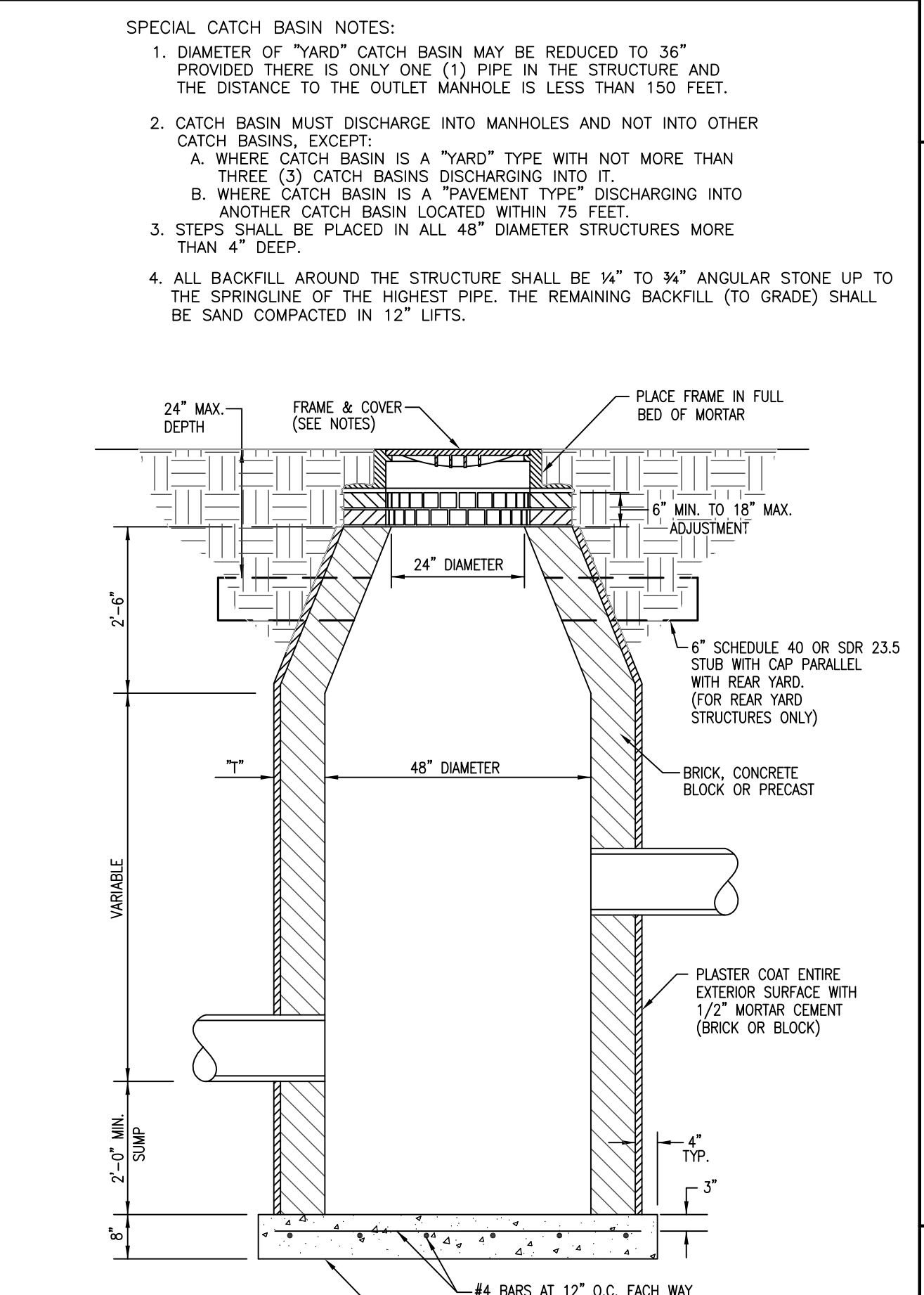
STORM SEWER MANHOLE "B"
NOT TO SCALE



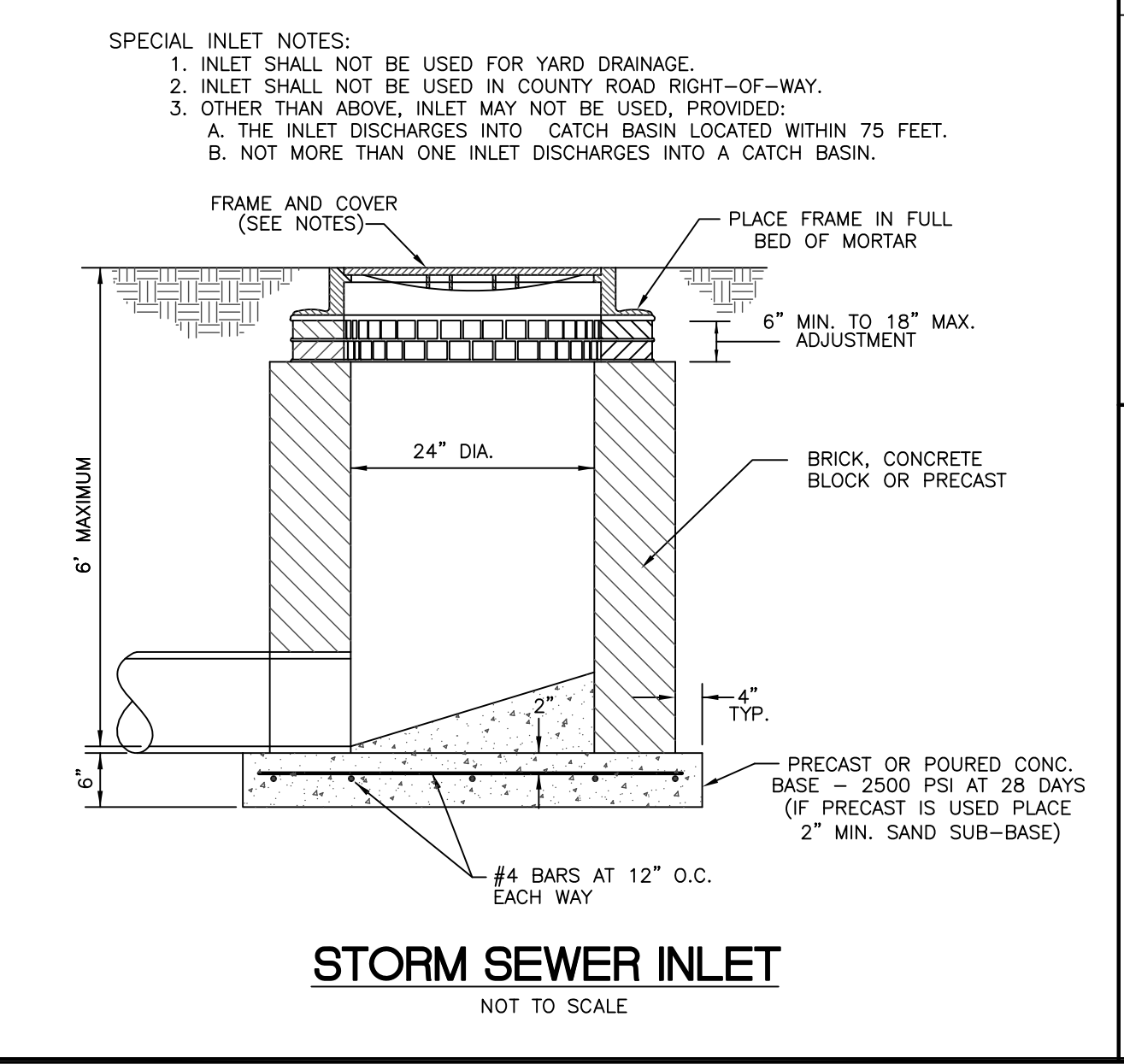
STORM SEWER TEE MANHOLE "B"
NOT TO SCALE



STANDARD WYE DETAIL IN CONCRETE PIPE FOR SUMP PUMP CONNECTION
NOT TO SCALE



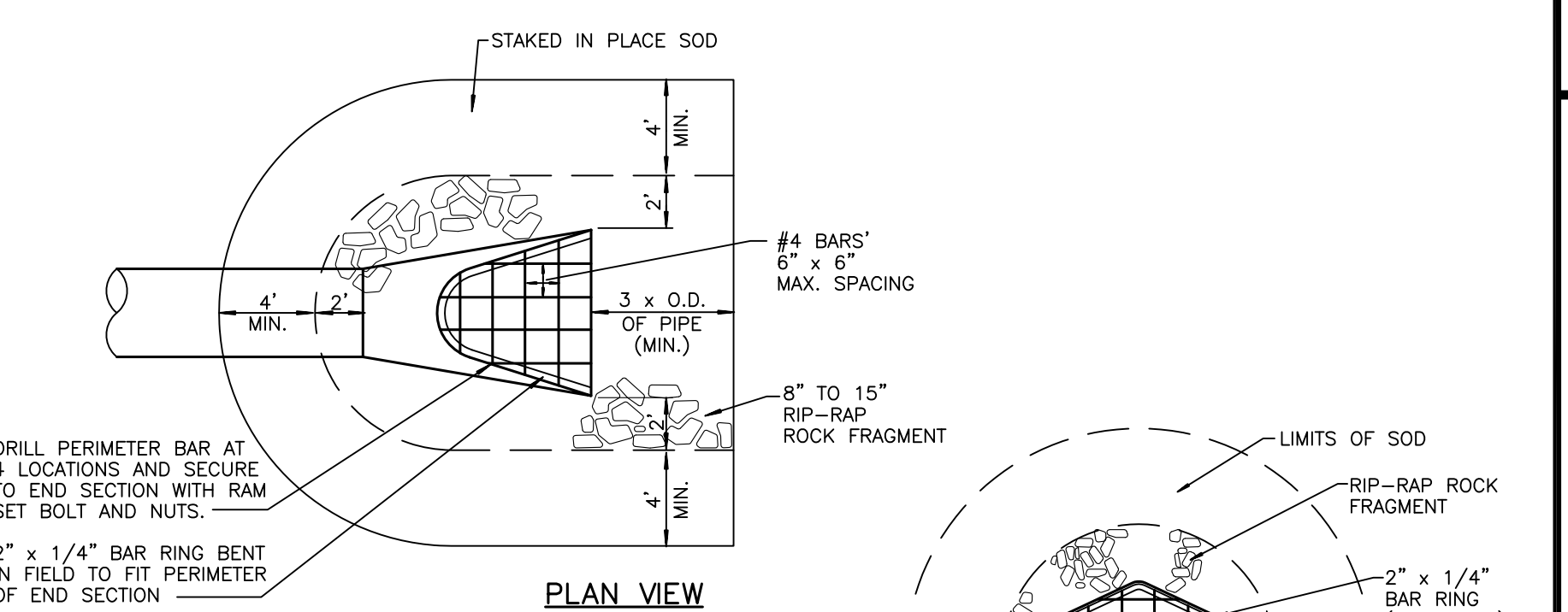
STORM SEWER CATCH BASIN
NOT TO SCALE



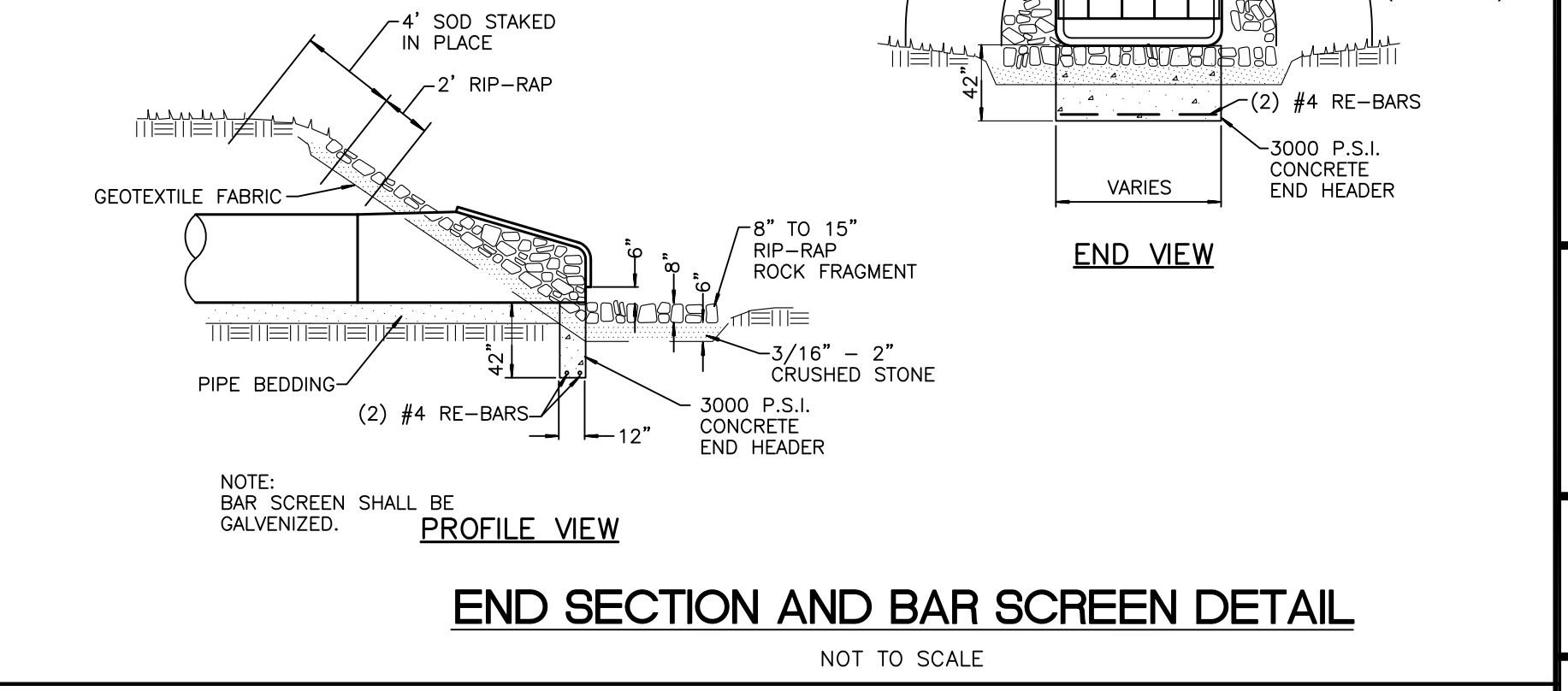
STORM SEWER INLET
NOT TO SCALE

GENERAL STORM SEWER NOTES

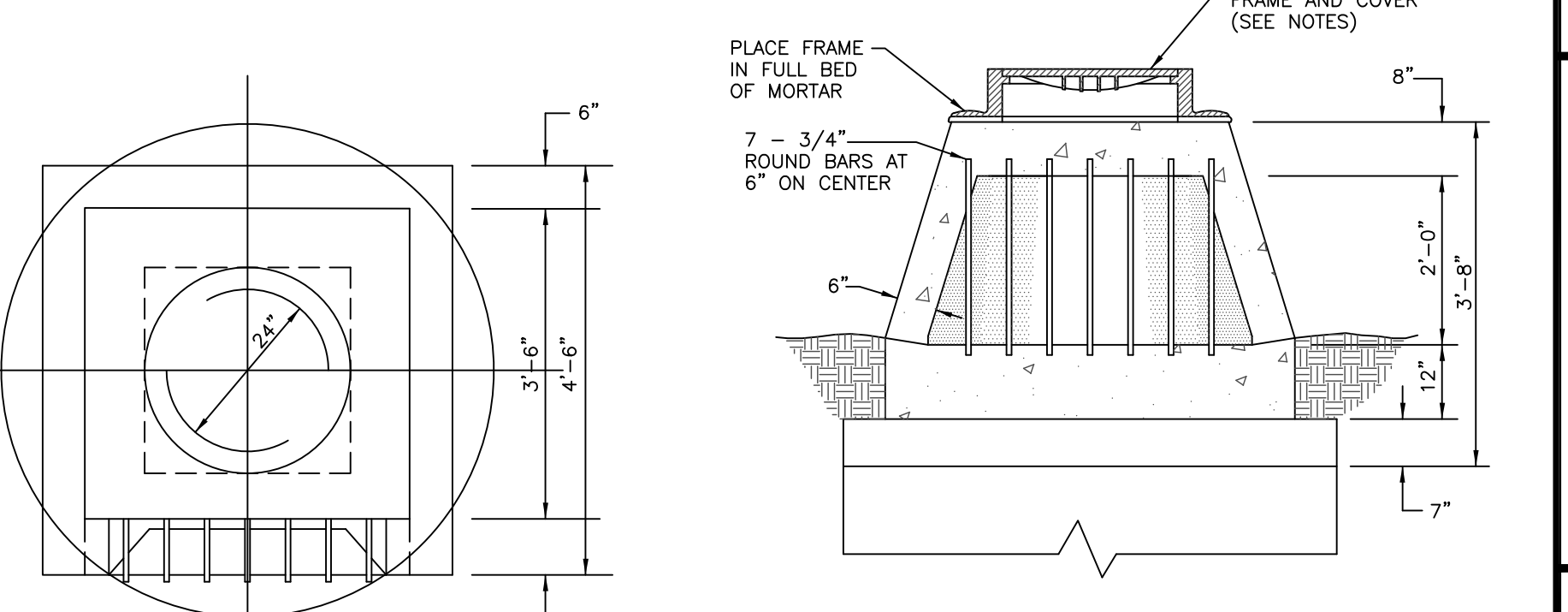
- THE CONTRACTOR SHALL NOTIFY RICHMOND TOWNSHIP (586-727-8998), MACOMB COUNTY ROAD COMMISSION (586-463-8671), AND THE MACOMB COUNTY OFFICE OF PUBLIC WORKS (586-469-5325) THREE WORKING DAYS PRIOR TO CONSTRUCTION.
- PRIOR TO CONSTRUCTION, THE CONTRACTOR SHALL ATTEND A PRE-CONSTRUCTION MEETING, AT A TIME AND PLACE AS ARRANGED BY THE OWNER OR THE MUNICIPAL ENGINEER, AT WHICH VARIOUS UTILITY COMPANIES AND GOVERNMENTAL AGENCY REPRESENTATIVES WILL BE PRESENT.
- PRIOR TO CONSTRUCTION, THE CONTRACTOR MUST HAVE IN HIS POSSESSION A COPY OF A VALID PERMIT TO CONSTRUCT A CONNECTION TO, OR AN EXTENSION OF, THE STORM WATER DRAINAGE SYSTEM.
- THE CONTRACTOR SHALL SECURE PERMITS FROM THE OFFICE OF THE PUBLIC WORKS COMMISSIONER FOR TAPS AND CROSSINGS OF COUNTY DRAINS AND SHALL PAY THE COSTS OF SAID PERMITS AND THE COST OF ANY INSPECTION CHARGES BY THAT AGENCY FOR WORK DONE UNDER THE PERMITS.
- PRIOR TO ANY CONSTRUCTION, THE CONTRACTOR SHALL TELEPHONE MISS DIG (800-482-7171) FOR THE LOCATION OF UNDERGROUND FACILITIES, AND SHALL ALSO NOTIFY REPRESENTATIVES OF ANY OTHER FACILITIES, LOCATED IN THE VICINITY OF THE WORK, WHICH MAY NOT BE HANDLED BY MISS DIG.
- ALL STORM WATER DRAINAGE SYSTEM CONSTRUCTION SHALL CONFORM TO THE CURRENT STANDARDS AND SPECIFICATIONS OF THE MUNICIPALITY, COUNTY ROAD COMMISSION AND/OR THE OFFICE OF THE PUBLIC WORKS COMMISSIONER, AS REQUIRED.
- ALL REINFORCED CONCRETE SEWER PIPE SHALL CONFORM TO ASTM SPECIFICATION C76 WITH CLASS DESIGNATION ON PLANS.
- UNLESS OTHERWISE INDICATED ON THE PLANS, ALL STORM SEWER BEDDING SHALL BE STANDARD BEDDING.
- UNLESS OTHERWISE NOTED ON THE PLANS, STRUCTURE FRAME AND COVERS SHALL BE AS FOLLOWS:
MANHOLE (IN ROAD R.O.W.)
E.J.L.W. 1060 OR NEEHAH R-1784 WITH PERFORATED COVER (MDOF COVER D4).
MANHOLE (OTHER THAN IN ROAD R.O.W.)
E.J.L.W. 1040 OR NEEHAH R-1642 WITH PERFORATED COVER.
CATCH BASIN OR INLET (PAVEMENT TYPE)
E.J.L.W. 5105 OR NEEHAH R-3036 WITH SINUSOIDAL GRATE (MDOF COVER D4).
CATCH BASIN (YARD TYPE) OR SIDE INLET
E.J.L.W. 1040 OR NEEHAH R-1642 WITH OVAL GRATE HAVING A RISE ABOVE THE FRAME OF 3 1/4".
- ALL STORM SEWER JOINTS SHALL BE TONGUE & GROOVE WITH BITUMINOUS COMPOUND JOINT FILLER MATERIAL.
- AS PART OF THE FINAL INSPECTION, THE CONTRACTOR SHALL PROVIDE FOR TELEVISION INSPECTION OF THE STORM SEWER LINES IN ACCORDANCE WITH THE CURRENT DETAILED SPECIFICATIONS OF THE MUNICIPALITY.
- ALL WYES AND BUILDING SERVICE CONNECTIONS SHALL BE 3" POLY VINYL CHLORIDE (PVC) SEWER PIPE D3033 OR D3034-3.



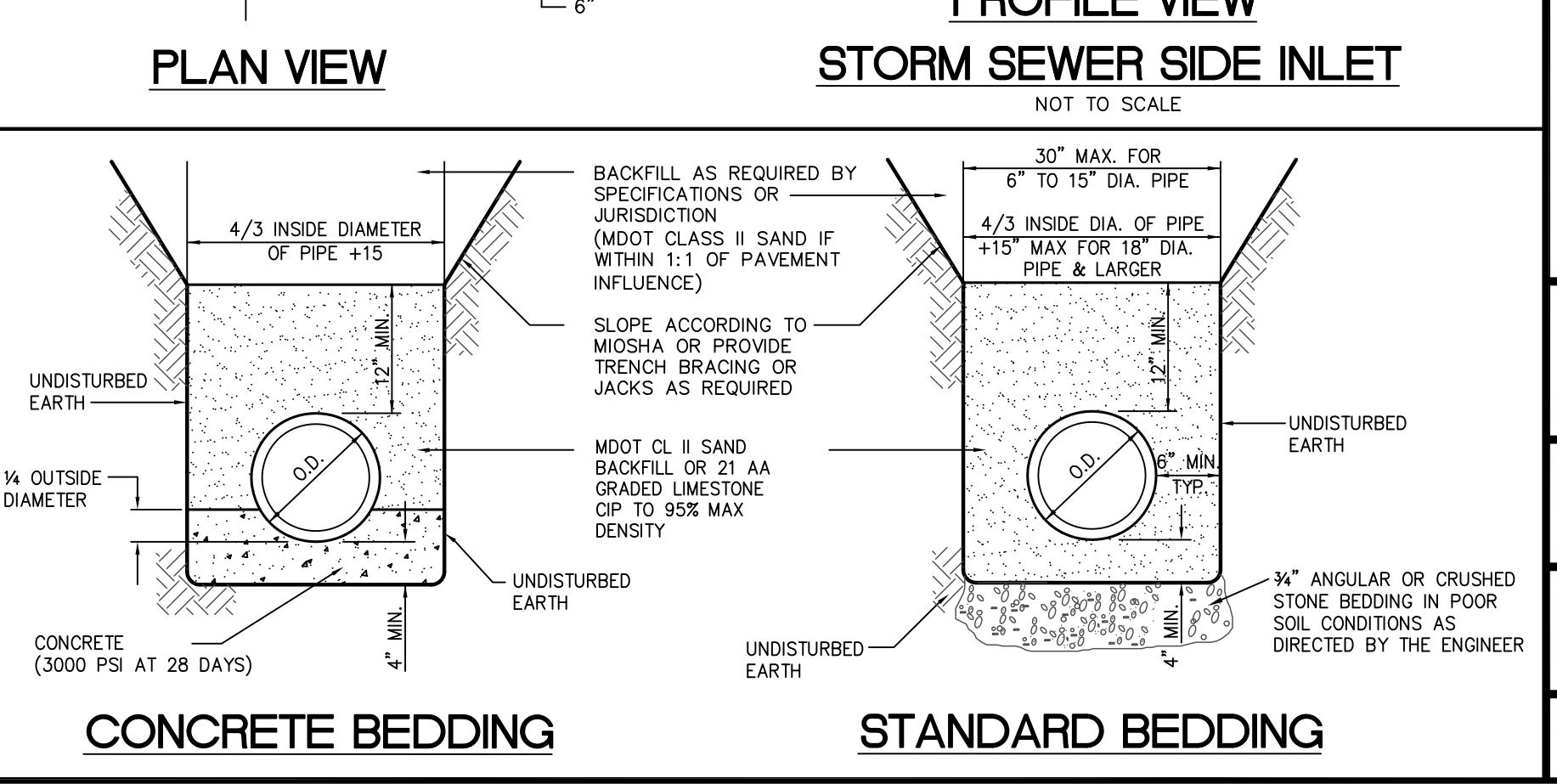
PLAN VIEW
NOT TO SCALE



END SECTION AND BAR SCREEN DETAIL
NOT TO SCALE



PROFILE VIEW
STORM SEWER SIDE INLET
NOT TO SCALE



CONCRETE BEDDING

STANDARD BEDDING

TRI-COUNTY
Engineering Consultants
48701 Hayes Road
Sheby Twp, MI 48315
TEL: (810) 394-7887
FAX: (586) 668-4842
Info@Tri-CountyEng.com
www.Tri-CountyEng.com



CLIENT NAME:
RICHMOND TOWNSHIP
MACOMB COUNTY

3 WORKING DAYS
800-482-7171



Know what's below.
Call before you dig.

PRIOR TO CONSTRUCTION, ALL EXISTING UTILITIES, LOCATION AND DEPTH WITHIN THE PROJECT AREA SHALL BE FIELD VERIFIED. CALL MISS DIG SYSTEM 3 WORKING DAYS PRIOR TO CONSTRUCTION.

UTILITY INFORMATION SHOWN ON THIS DRAWING IS APPROXIMATE AND MAY BE ACCORDING TO AVAILABLE RECORD OR DISCLOSED INFORMATION BY VARIOUS UTILITY COMPANIES, PUBLIC AGENCIES, OR OTHER SOURCES AND THIS MAY NOT NECESSARILY REFLECT ACTUAL FIELD LOCATIONS AND NO GUARANTEE IS GIVEN TO COMPLETENESS OR ACCURACY.

COPYRIGHT (C) 2021. ALL RIGHTS RESERVED. THIS DRAWING AND ALL INFORMATION CONTAINED HEREIN ARE NOT TO BE USED, REPRODUCED WITHOUT WRITTEN PERMISSION BY TRI-COUNTY ENGINEERING CONSULTANTS.

PROJECT NAME:
RICHMOND TOWNSHIP
STORM SEWER
STANDARD DETAILS

PROJECT LOCATION:
SEC. 105N, R14E
RICHMOND TOWNSHIP
MACOMB COUNTY

Drawn By: TCEC
Checked By: TWP
Approved By: TWP

REVISIONS:
1. 12/17/21

| NO. | DATE | DESCRIPTION |
|-----|----------|-------------|
| 1. | 12/17/21 | |



SCALE VERIFICATION:
0 0.5 1
BAR IS ONE-INCH
ADJUST SCALES ACCORDINGLY IF NOT

SCALE:
NONE

DRAWING NO:
RichmondStdSTM

Sheet of