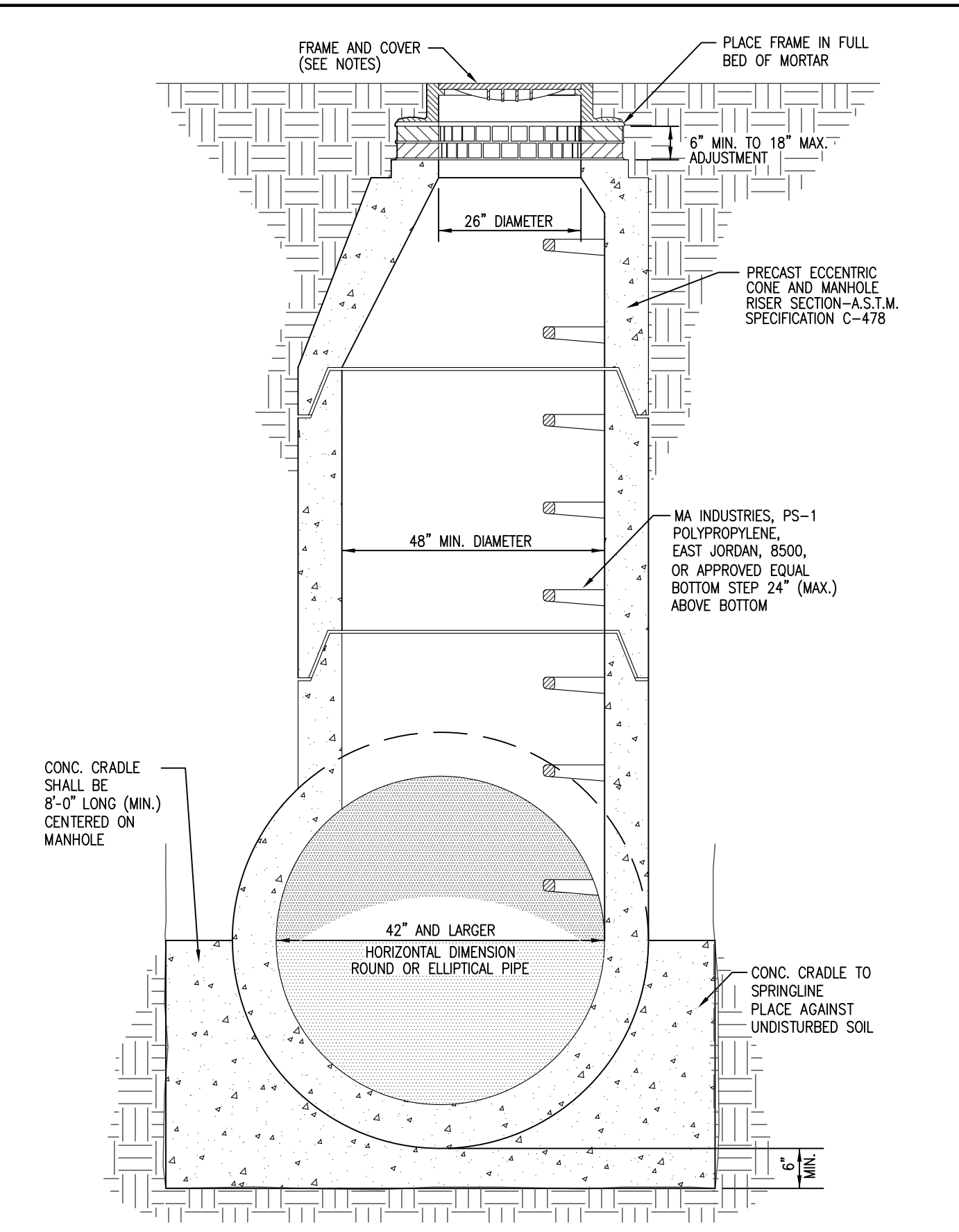
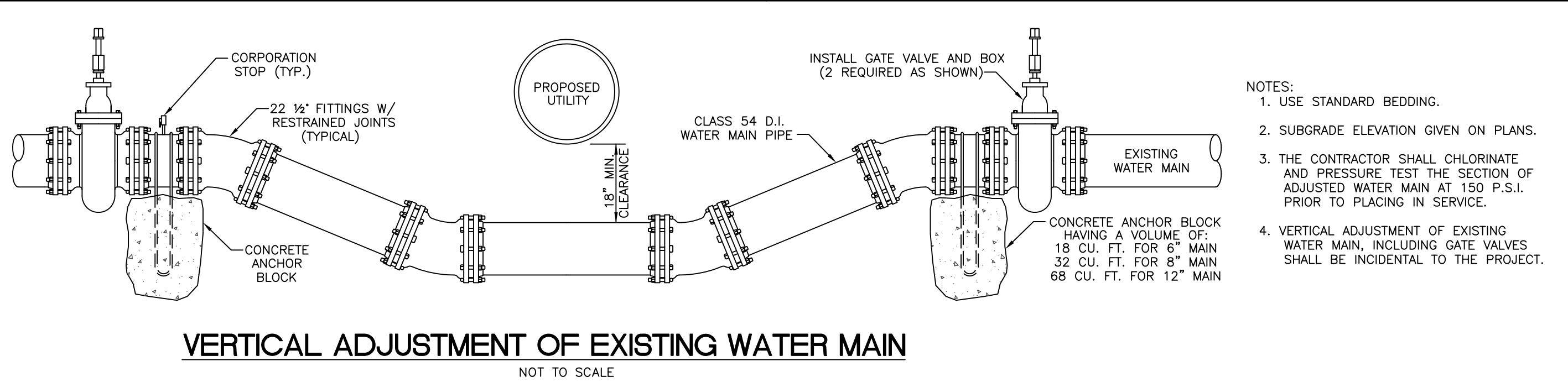


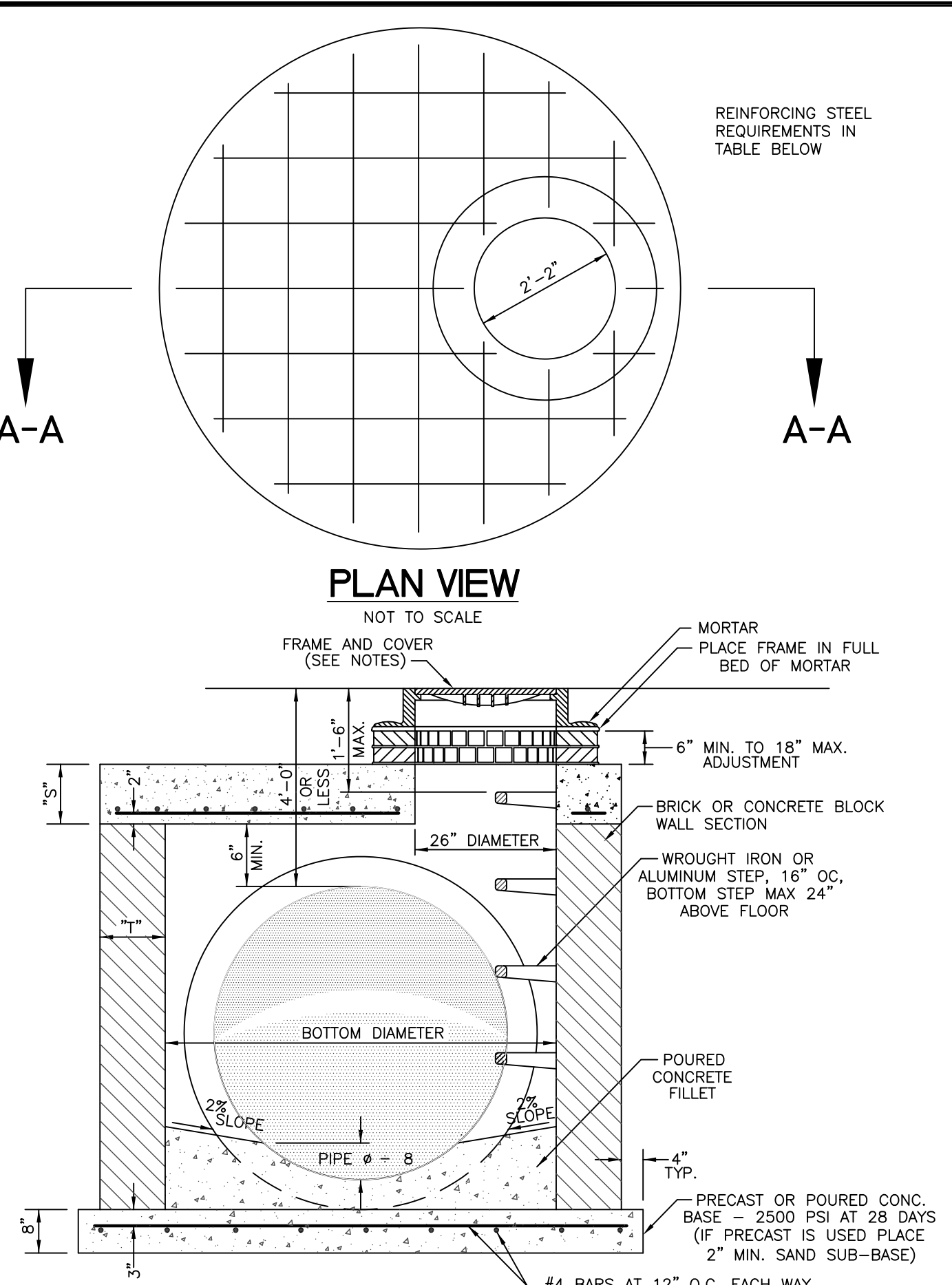
STORM SEWER MANHOLE "A"
NOT TO SCALE



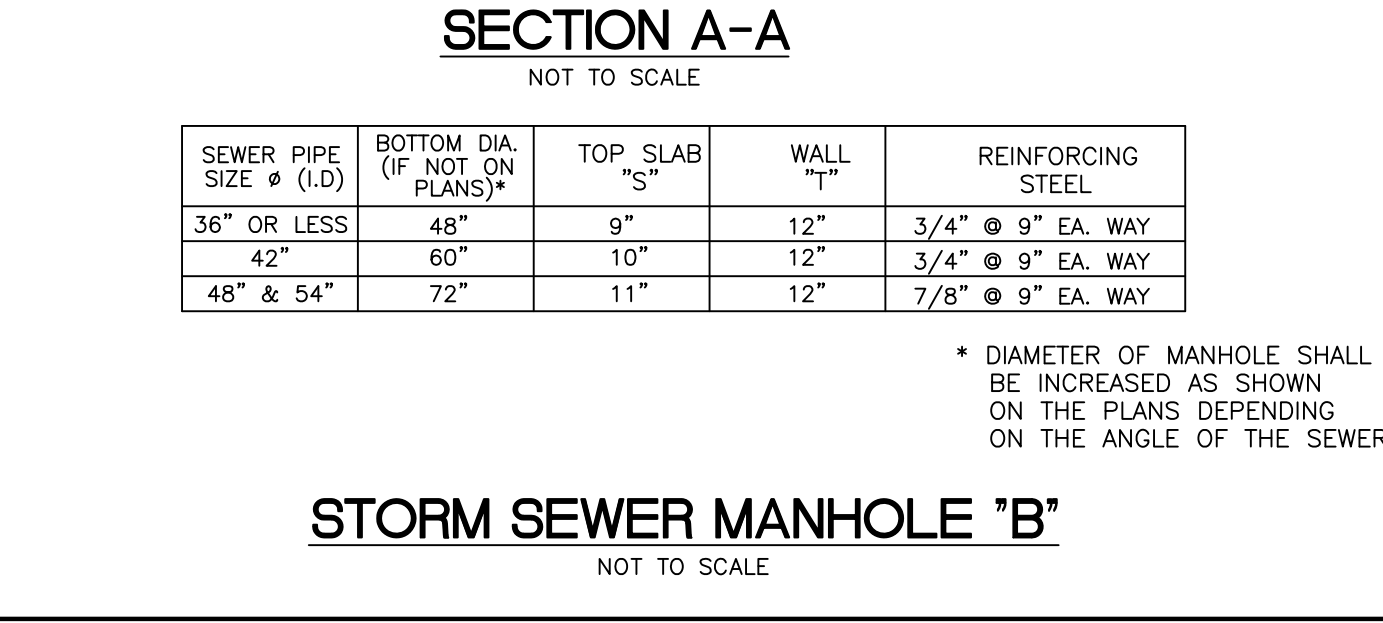
STORM SEWER TEE MANHOLE "A"
NOT TO SCALE



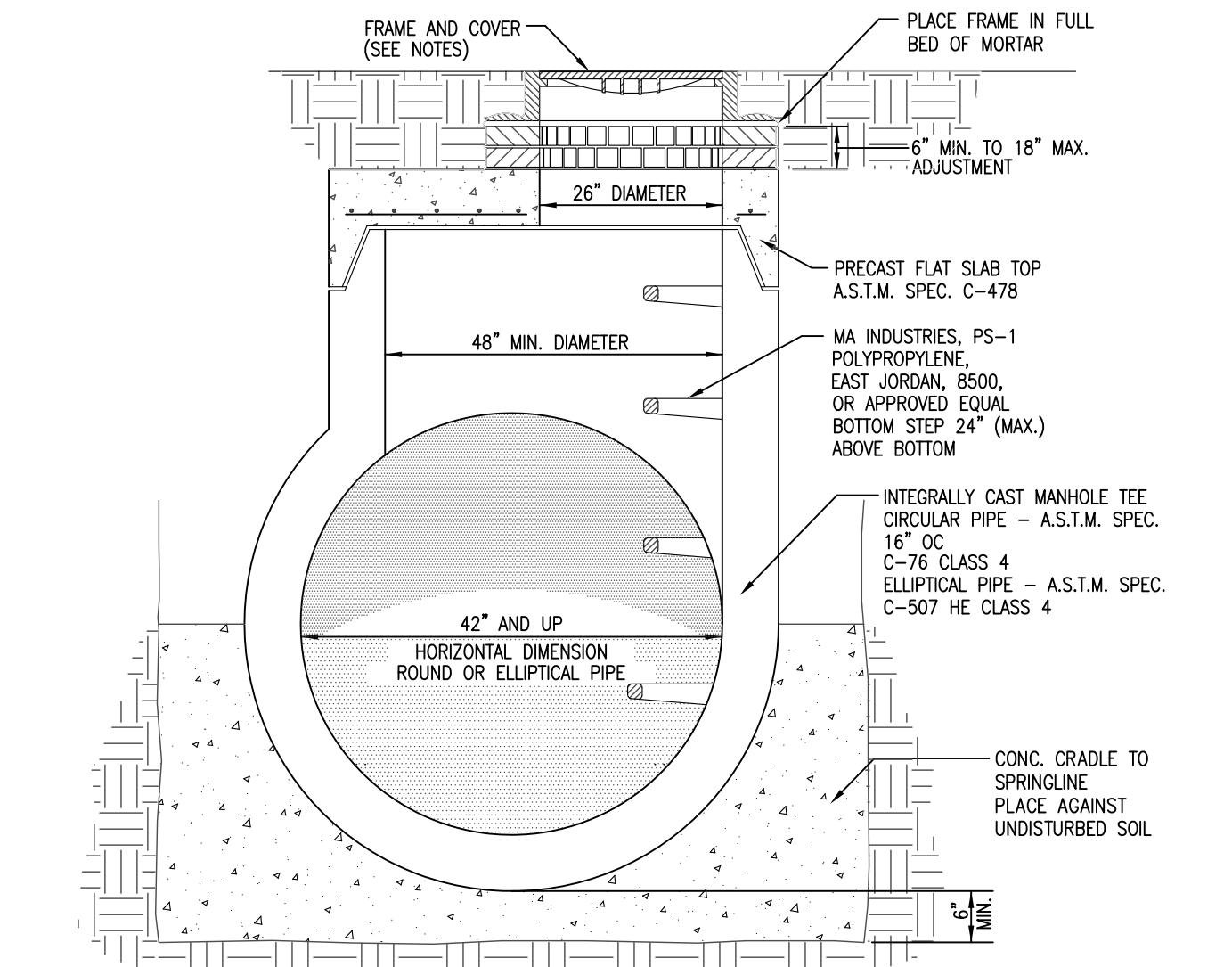
VERTICAL ADJUSTMENT OF EXISTING WATER MAIN
NOT TO SCALE



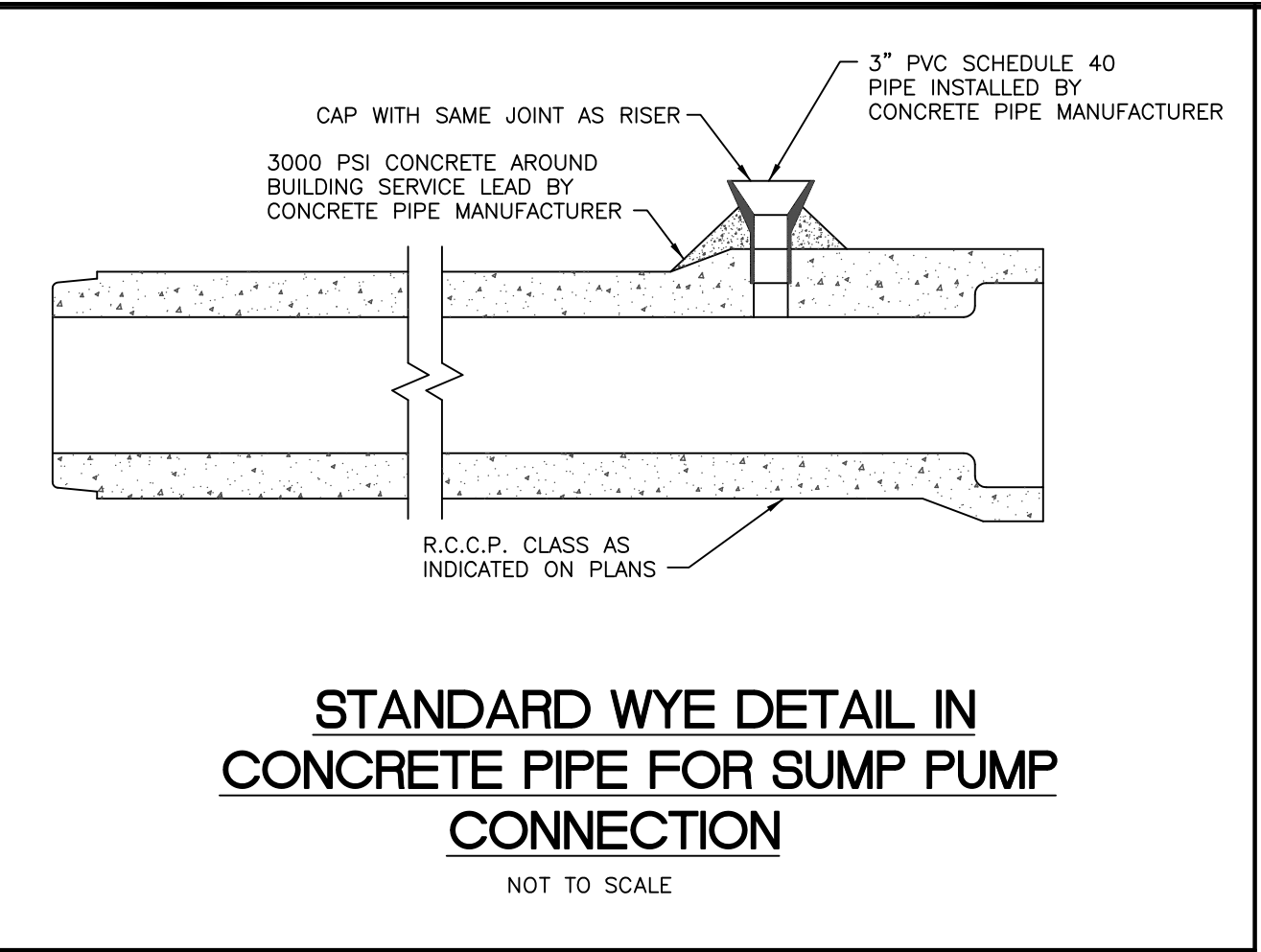
STANDARD WYE DETAIL IN CONCRETE PIPE FOR SUMP PUMP CONNECTION
NOT TO SCALE



STORM SEWER MANHOLE "B"
NOT TO SCALE



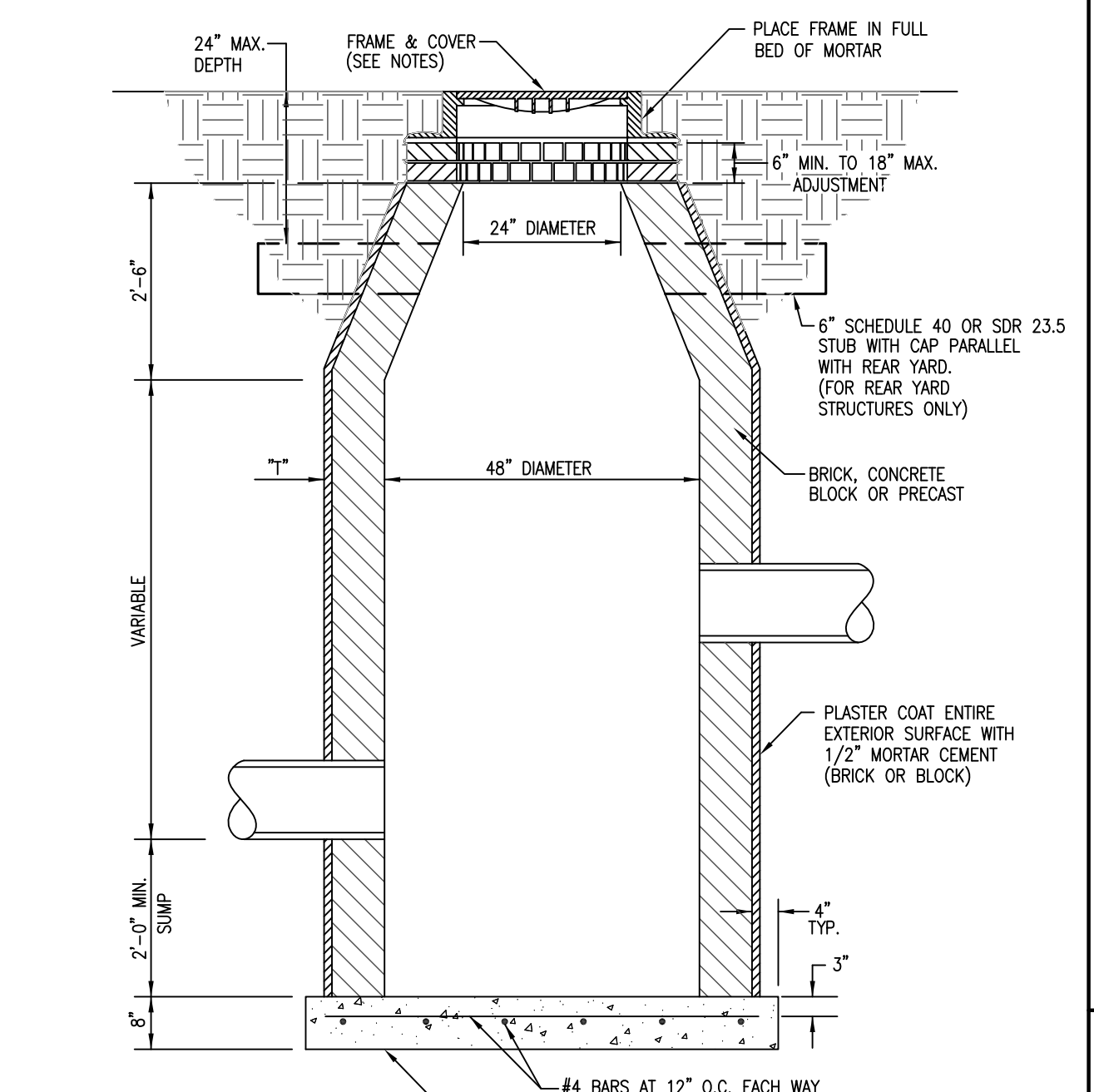
STORM SEWER TEE MANHOLE "B"
NOT TO SCALE



STANDARD WYE DETAIL IN CONCRETE PIPE FOR SUMP PUMP CONNECTION
NOT TO SCALE

SPECIAL CATCH BASIN NOTES:

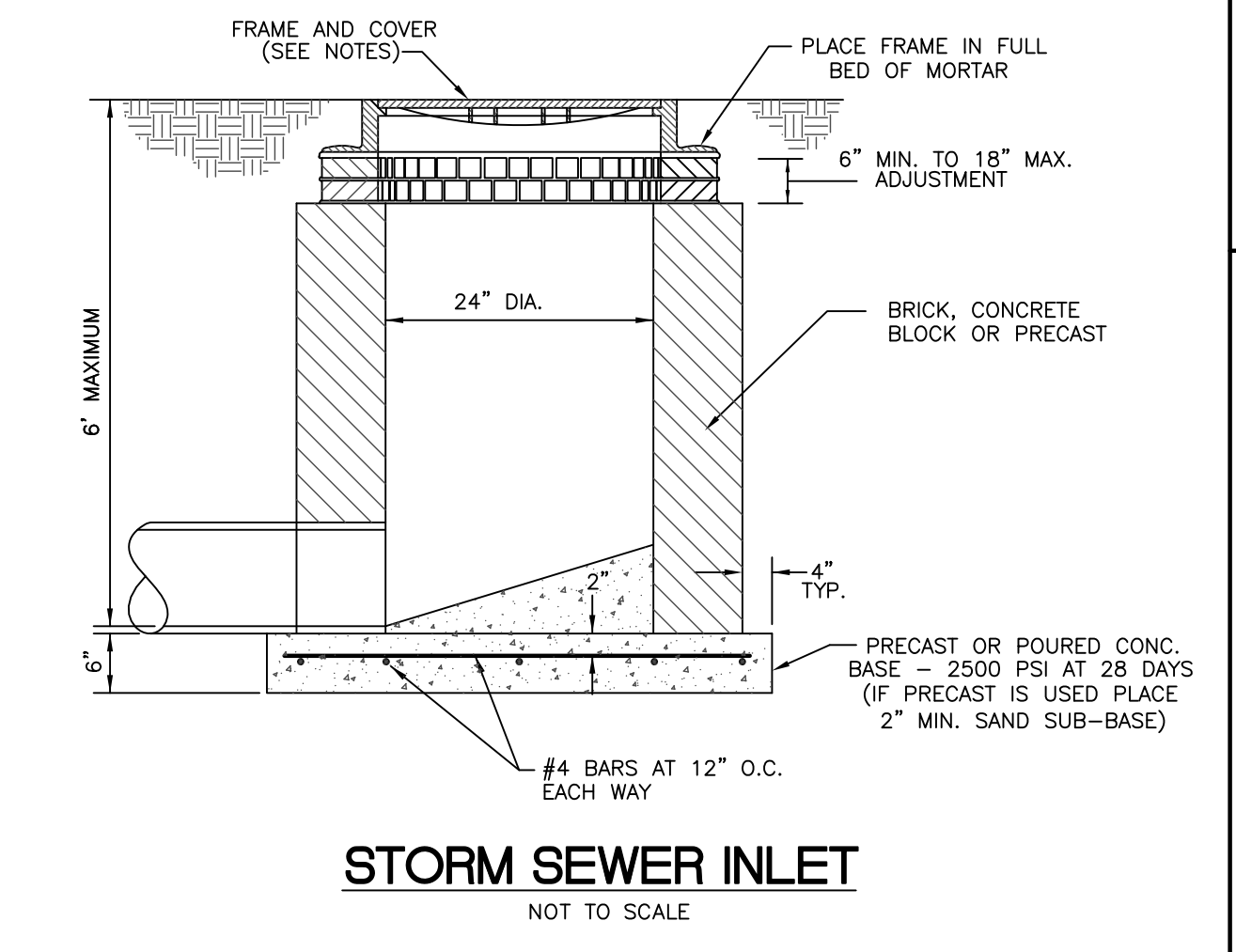
- DIAMETER OF "HARD" CATCH BASIN MAY BE REDUCED TO 36" PROVIDED THERE IS ONLY ONE (1) PIPE IN THE STRUCTURE AND THE DISTANCE TO THE OUTLET MANHOLE IS LESS THAN 150 FEET.
- CATCH BASIN MUST DISCHARGE INTO MANHOLES AND NOT INTO OTHER CATCH BASINS, EXCEPT:
 - WHERE CATCH BASIN IS A "YARD" TYPE WITH NOT MORE THAN THREE (3) CATCH BASINS DISCHARGING INTO IT.
 - WHERE CATCH BASIN IS A "PAVEMENT" TYPE DISCHARGING INTO ANOTHER CATCH BASIN LOCATED WITHIN 75 FEET.
- STEPS SHALL BE PLACED IN ALL 48" DIAMETER STRUCTURES MORE THAN 4' DEEP.
- ALL BACKFILL AROUND THE STRUCTURE SHALL BE 1/4" TO 3/4" ANGULAR STONE UP TO THE SPRINGLINE OF THE HIGHEST PIPE. THE REMAINING BACKFILL (TO GRADE) SHALL BE SAND COMPACTED IN 12" LIFTS.



STORM SEWER CATCH BASIN
NOT TO SCALE

SPECIAL INLET NOTES:

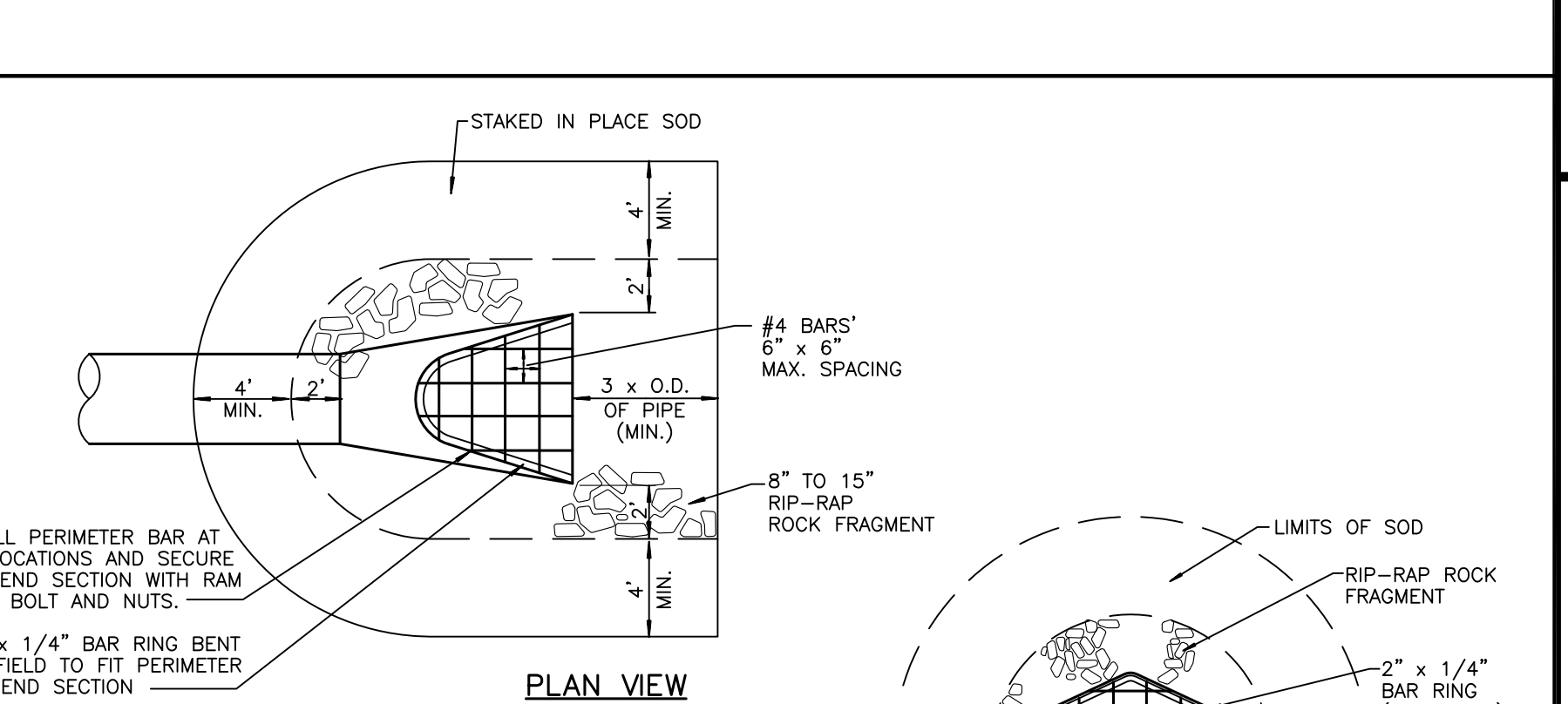
- INLET SHALL NOT BE USED FOR YARD DRAINAGE.
- INLET SHALL NOT BE USED IN COUNTY ROAD RIGHT-OF-WAY.
- OTHER THAN ABOVE, INLET MAY NOT BE USED, PROVIDED:
 - THE INLET DISCHARGES INTO CATCH BASIN LOCATED WITHIN 75 FEET.
 - NOT MORE THAN ONE INLET DISCHARGES INTO A CATCH BASIN.



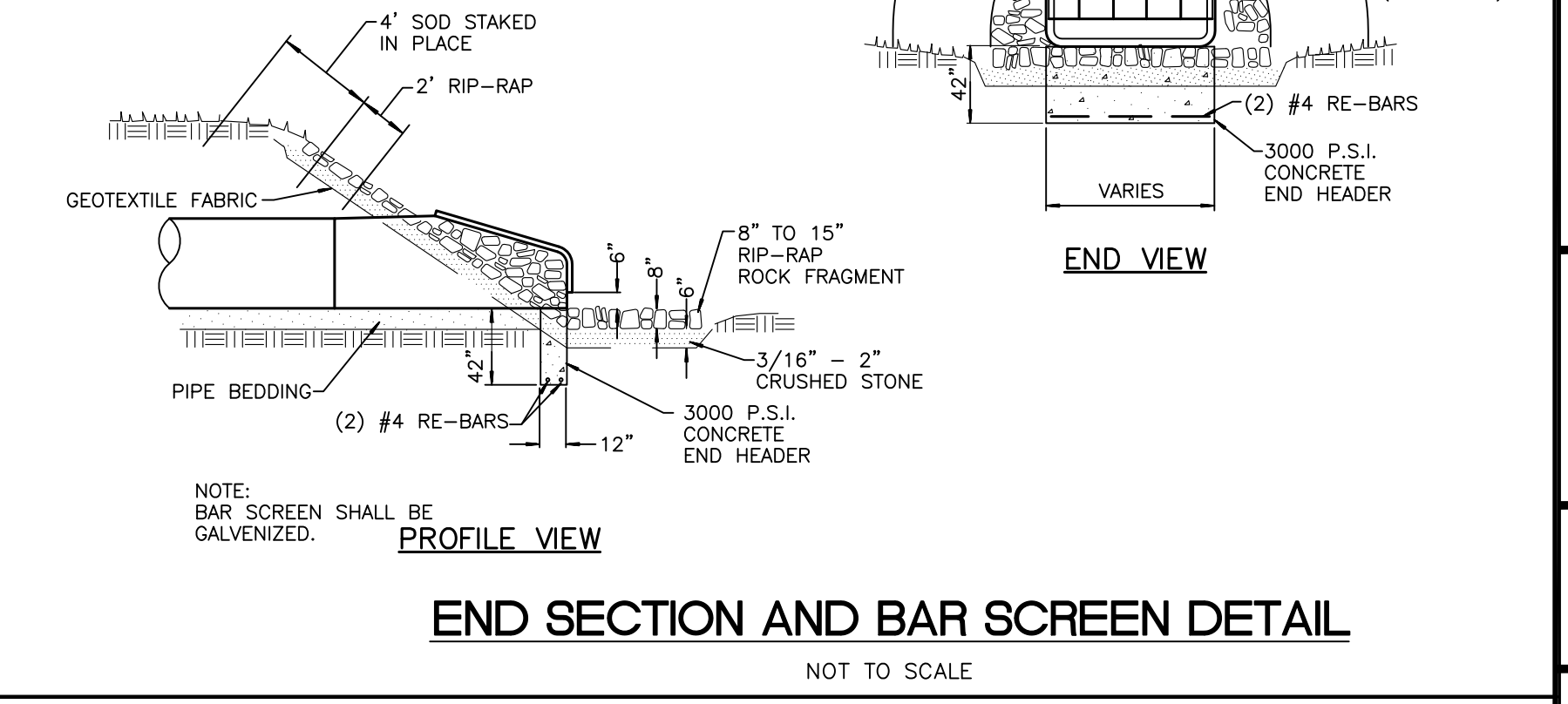
STORM SEWER INLET
NOT TO SCALE

GENERAL STORM SEWER NOTES

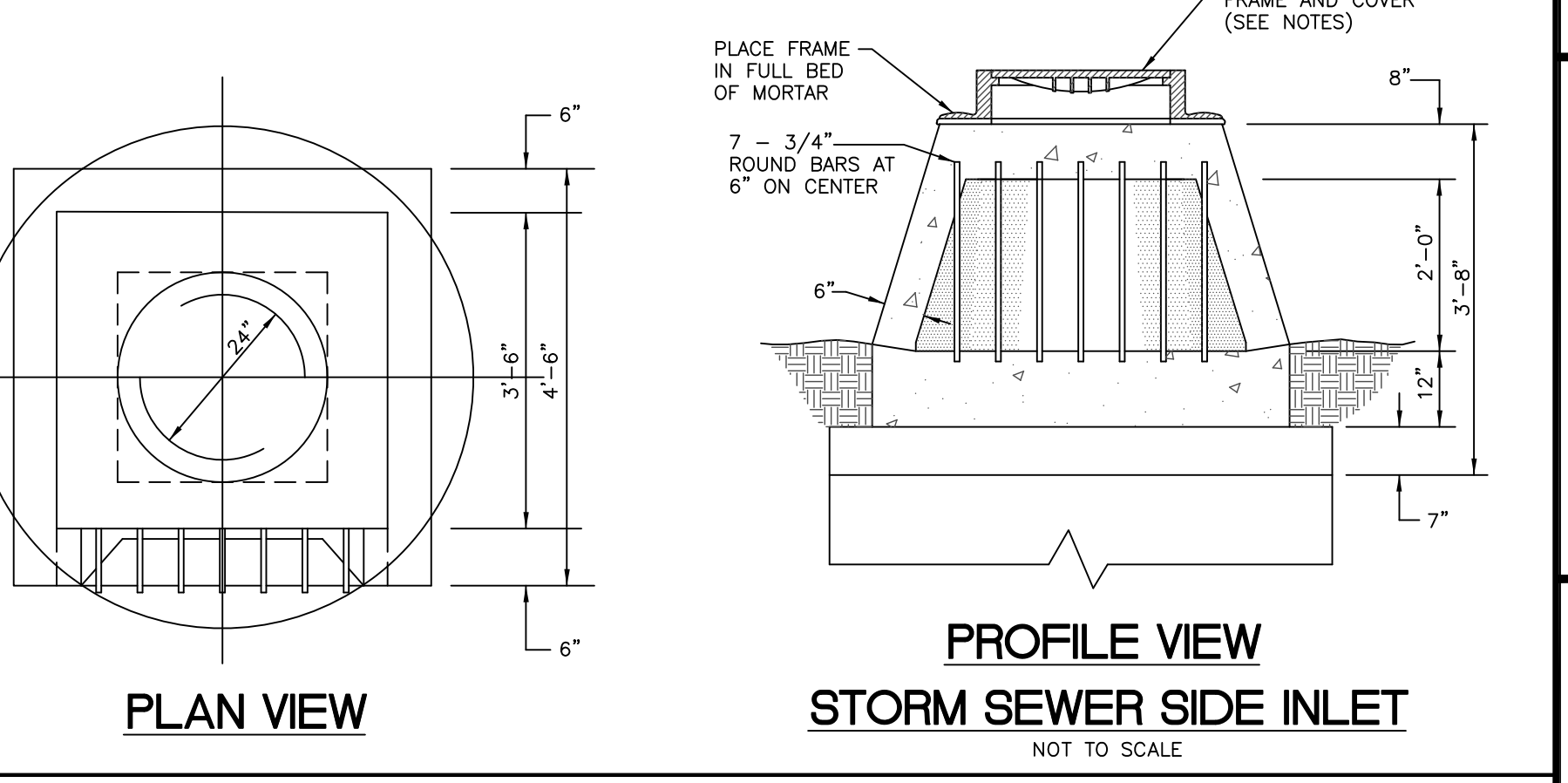
- THE CONTRACTOR SHALL NOTIFY LENOX TOWNSHIP DEPARTMENT OF PUBLIC WORKS (586-749-0230), MACOMB COUNTY ROAD COMMISSION (586-463-8671) AND THE MACOMB COUNTY OFFICE OF PUBLIC WORKS (586-469-5325) THREE WORKING DAYS PRIOR TO CONSTRUCTION.
- PRIOR TO CONSTRUCTION, THE CONTRACTOR SHALL ATTEND A PRE-CONSTRUCTION MEETING, AT A TIME AND PLACE AS ARRANGED BY THE OWNER OR THE MUNICIPAL ENGINEER, AT WHICH VARIOUS UTILITY COMPANIES AND GOVERNMENTAL AGENCY REPRESENTATIVES WILL BE PRESENT.
- PRIOR TO CONSTRUCTION, THE CONTRACTOR MUST HAVE IN HIS POSSESSION A COPY OF A VALID PERMIT TO CONSTRUCT A CONNECTION TO, OR AN EXTENSION OF, THE STORM WATER DRAINAGE SYSTEM.
- THE CONTRACTOR SHALL SECURE PERMITS FROM THE OFFICE OF THE PUBLIC WORKS COMMISSIONER FOR TAPS AND CROSSINGS OF COUNTY DRAINS AND SHALL PAY THE COSTS OF SAID PERMITS AND THE COST OF ANY INSPECTION CHARGES BY THAT AGENCY FOR WORK DONE UNDER THE PERMITS.
- PRIOR TO ANY CONSTRUCTION, THE CONTRACTOR SHALL TELEPHONE MISS DIG (800-482-7171) FOR THE LOCATION OF UNDERGROUND FACILITIES, AND SHALL ALSO NOTIFY REPRESENTATIVES OF ANY OTHER FACILITIES, LOCATED IN THE VICINITY OF THE WORK, WHICH MAY NOT BE HANDLED BY MISS DIG.
- ALL STORM WATER DRAINAGE SYSTEM CONSTRUCTION SHALL CONFORM TO THE CURRENT STANDARDS AND SPECIFICATIONS OF THE MUNICIPALITY, COUNTY ROAD COMMISSION AND/OR THE OFFICE OF THE PUBLIC WORKS COMMISSIONER, AS REQUIRED.
- ALL REINFORCED CONCRETE SEWER PIPE SHALL CONFORM TO ASTM SPECIFICATION C76 WITH CLASS DESIGNATION ON PLANS.
- UNLESS OTHERWISE INDICATED ON THE PLANS, ALL STORM SEWER BEDDING SHALL BE STANDARD BEDDING.
- UNLESS OTHERWISE NOTED ON THE PLANS, STRUCTURE FRAME AND COVERS SHALL BE AS FOLLOWS:
 - MANHOLE (IN ROAD R.O.W.) E.J.L.W. 1060 OR NEENAH R-1784 WITH PERFORATED COVER (MDOF COVER D4).
 - MANHOLE (OTHER THAN IN ROAD R.O.W.) E.J.L.W. 1040 OR NEENAH R-1642 WITH PERFORATED COVER.
 - CATCH BASIN OR INLET (PAVEMENT TYPE) E.J.L.W. 5105 OR NEENAH R-3036 WITH SINUSOIDAL GRATE (MDOF COVER D4).
 - CATCH BASIN (YARD TYPE) OR SIDE INLET E.J.L.W. 1040 OR NEENAH R-1642 WITH OVAL GRATE HAVING A RISE ABOVE THE FRAME OF 3 1/4".
- ALL STORM SEWER JOINTS SHALL BE TONGUE & GROOVE WITH BITUMINOUS COMPOUND JOINT FILLER MATERIAL.
- AS PART OF THE FINAL INSPECTION, THE CONTRACTOR SHALL PROVIDE FOR TELEVISION INSPECTION OF THE STORM SEWER LINES IN ACCORDANCE WITH THE CURRENT DETAILED SPECIFICATIONS OF THE MUNICIPALITY.
- ALL WYES AND BUILDING SERVICE CONNECTIONS SHALL BE 3" POLY VINYL CHLORIDE (PVC) SEWER PIPE D3033 OR D3034-3.



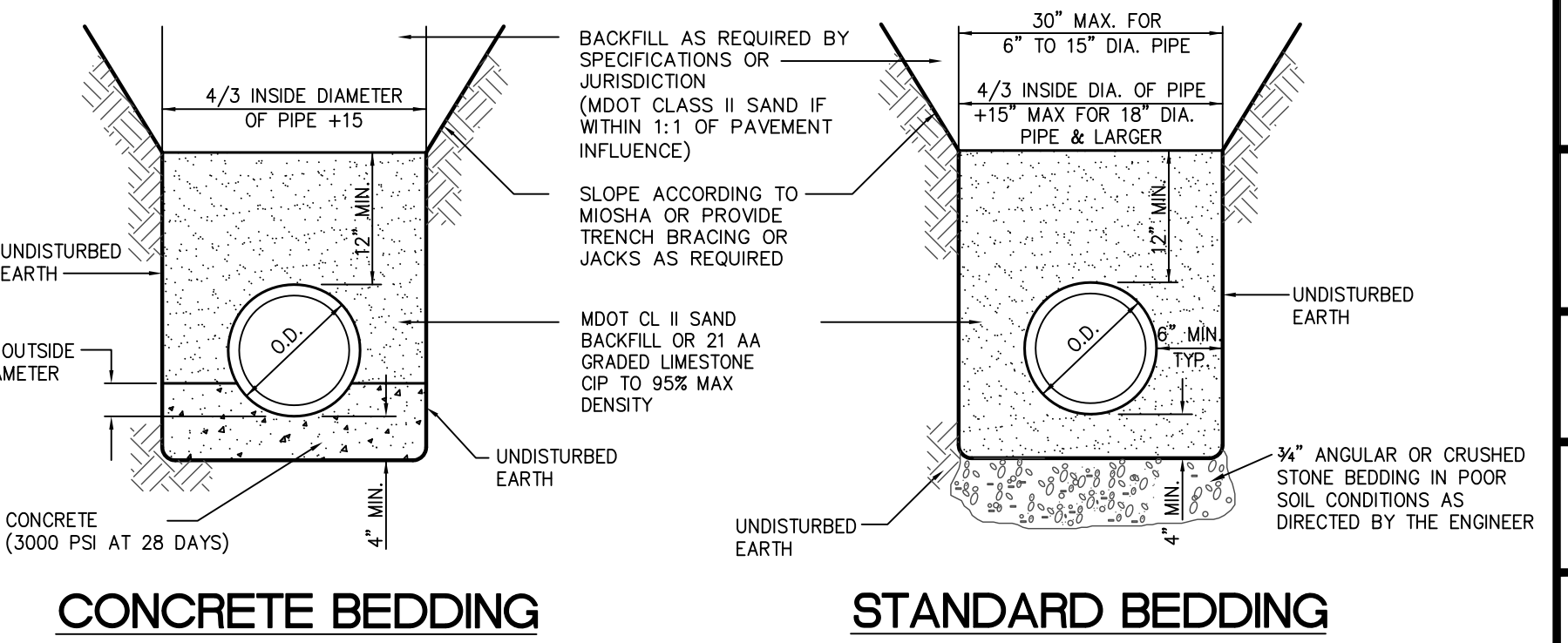
PROFILE VIEW STORM SEWER SIDE INLET
NOT TO SCALE



PROFILE VIEW STORM SEWER SIDE INLET
NOT TO SCALE



PROFILE VIEW STORM SEWER SIDE INLET
NOT TO SCALE



PROFILE VIEW STORM SEWER SIDE INLET
NOT TO SCALE

TRI-COUNTY
Engineering Consultants
48701 Hayes Road
Shelby Twp, MI 48315
TEL: (810) 394-7887
FAX: (586) 566-4642
www.Tri-CountyEng.com

COMMUNITY
LENOX
Township
CENTER & PARK

CLIENT NAME:
LENOX TOWNSHIP
MACOMB COUNTY

3 WORKING DAYS
800-482-7171

811

Know what's below.
Call before you dig.

PRIOR TO CONSTRUCTION, ALL EXISTING UTILITIES LOCATION AND DEPTH WITHIN THE PROJECT AREA SHALL BE FIELD VERIFIED. CALL MISS DIG SYSTEM 3 WORKING DAYS PRIOR TO CONSTRUCTION.

UTILITY INFORMATION SHOWN ON THIS DRAWING IS APPROXIMATE AND MAY BE ACCORDING TO AVAILABLE RECORD OR DISCLOSED INFORMATION BY VARIOUS UTILITY COMPANIES, PUBLIC AGENCIES, OR OTHER SOURCES AND THIS MAY NOT NECESSARILY REFLECT ACTUAL FIELD LOCATIONS AND NO GUARANTEE IS GIVEN TO COMPLETENESS OR ACCURACY.

COPYRIGHT (C) 2018. ALL RIGHTS RESERVED. THIS DRAWING AND ALL INFORMATION CONTAINED HEREIN ARE NOT TO BE USED OR REPRODUCED WITHOUT WRITTEN PERMISSION BY TRI-COUNTY ENGINEERING CONSULTANTS.

PROJECT NAME:
LENOX TOWNSHIP
STORM SEWER
STANDARD DETAILS

PROJECT LOCATION:
SEC. 104N, R13E
LENOX TOWNSHIP
MACOMB COUNTY

Drawn By: TCCE
Checked By: LEDPW
Approved By: LENOX

REVISIONS:

- 06/18/93
- 11/15/01
- 11/07/03
- 08/30/06
- 06/19/08
- 07/01/08
- 10/01/18
- 10/26/18
- 02/07/19

STATE OF MICHIGAN
SERMED K
SAIF
ENGINEER
No. 5141
PROFESSIONAL

SCALE VERIFICATION:
0 0.5 1
BAR IS ONE-INCH
ADJUST SCALES ACCORDINGLY IF NOT

SCALE:
NONE

DRAWING NO:
LenoxStdSTM

Sheet of